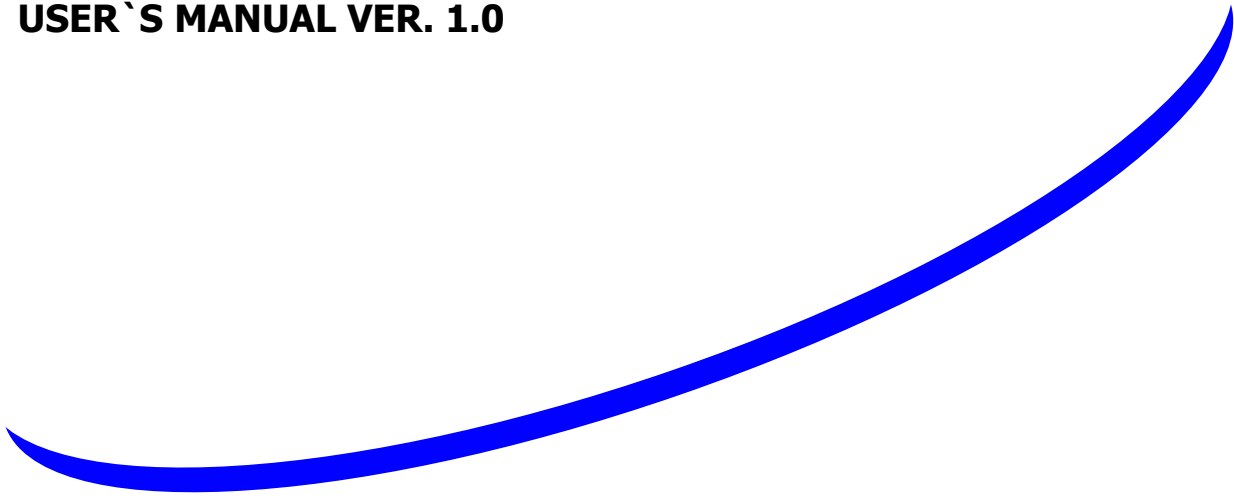


USER`S MANUAL VER. 1.0



Mini B/W DOME CAMERA

NVC-11BD

NOVUS SECURITY Sp. z o.o.
359 Pulawska Str., 02-801 Warsaw, Poland
tel: +4822-546-0-500; fax: +4822-546-0-519
info@novuscctv.com; www.novuscctv.com

Table of Contents

1. Important information before installation.....	3
2. Safety instructions.....	4
3. Installation	5
4. Specifications	6

1. Important information before installation

Please read and observe all instructions and warnings contained in this manual. Retain the original manual for future reference. When unpacking your new product, first please compare the received items with your order list, second check for damaged items. If there is anything missing or damage in evidence, please do not install or operate the product, then contact the dealer for assistance immediately. Never try to service this product by yourself. Opening the covers may expose you to dangerous power voltage or other hazards. For your protection, take a moment to complete the following product purchase information. The serial number of this product may be found on the cover of the unit. The serial number may be required by the factory when need service or technical support.

CONGRATULATIONS ON YOUR PURCHASE OF OUR CAMERA

This product has been carefully inspected through rigid quality control before shipment. With reasonable installation and operation, it will provide year of reliable performance. Considering your investment, we understand you would like to know the full performance capability about the new product. Therefore, we need to recommend that you read the installation and operation manual thoroughly before attempting to install and operate the product.

Preface

Design for this series CCD camera is based on professional video system processing capability. Interior Key components adopt Japan CCD sensor and IC. So the CCD camera has better performance such as high sensitivity, sharpness, premium fidelity and low noise, also it has auto electronic shutter, backlight compensation.

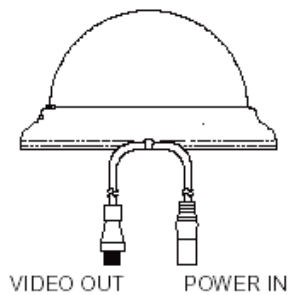
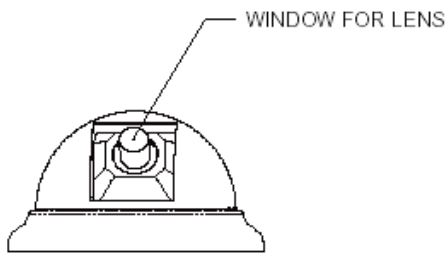
Because power design uses switching power, its operating current is only 200mA for DC12V model. Installation becomes more simple and easily.

2. Safety instructions

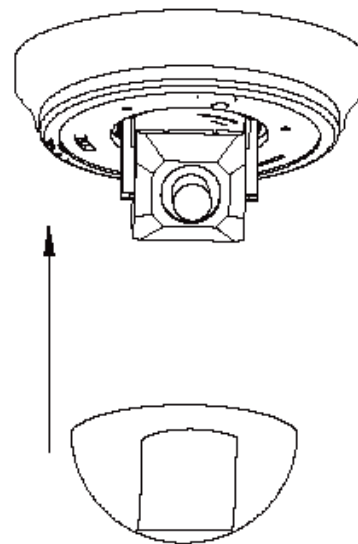
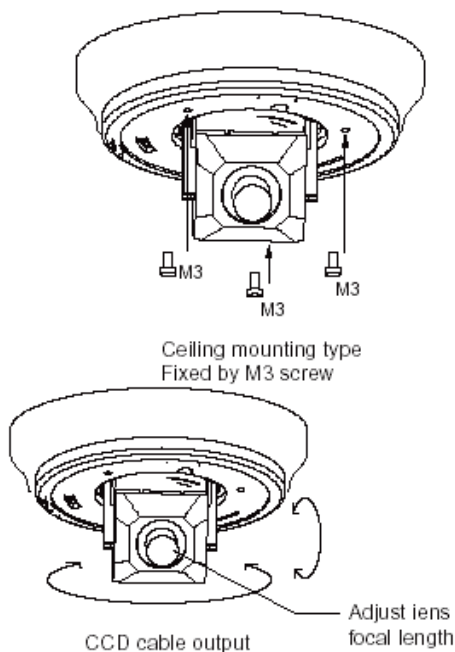
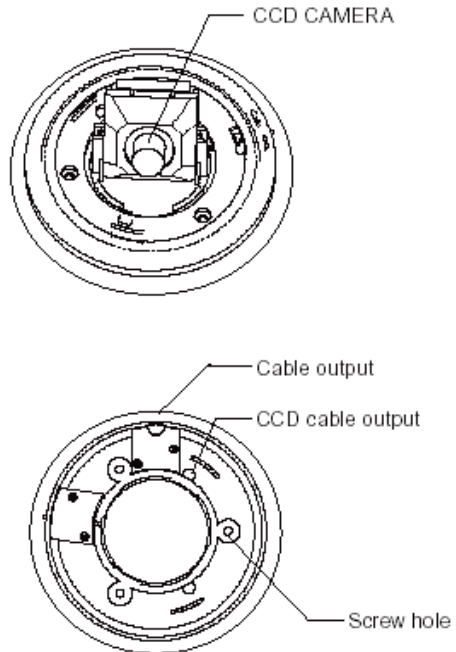
1. Never expose the unit to rain or moisture to avoid electric shock hazard.
2. All service or maintenance should be made by qualified service personnel.
3. Storage temperature $-30^{\circ}\text{C}\sim 80^{\circ}\text{C}$
4. All installation and service should conform to local codes.
5. Do not open the cover, it may expose you to power voltage and other hazard.
6. Do not place anything on the unit which maybe spill or fall into the unit.
7. The equipment has been tested and pass the CE standard, which are designed to provide reasonable protection against harmful interference and be insusceptible to other radiating interference when operated in commercial environment. Therefore, the equipment can't also generate and cause any interference to radio communication.

5. Кривички

FUNCTION DESCRIPTION



INSTALLATION



SPECIFICATIONS	
Pick up Element	1/3" B/W CCD imager
Number of Pixels	537(H) x 597(V)
Synchronizing System	Internal
Resolution	More than 450 TVL
Video Output	1.0Vp-p composite, 75 Qj o
Min. Illumination	0.05 Lux / F1.2
Electronic Shutter	AUTO 1/50 ~ 1/100,000 s
S/N Ratio	48dB (AGC off)
Gamma	0.45
Angle of View	~68°
Back Light Compensation	AUTO
Lens	Standard Lens: 3.6 mm
Operating Temperature	0°~ 50°C
Power Supply	DC12/ 200mA
Dimension (mm)	100(Ø) x 57.5(H)
Weight	135g

NOVUS™

NOVUS SECURITY Sp. z o.o.